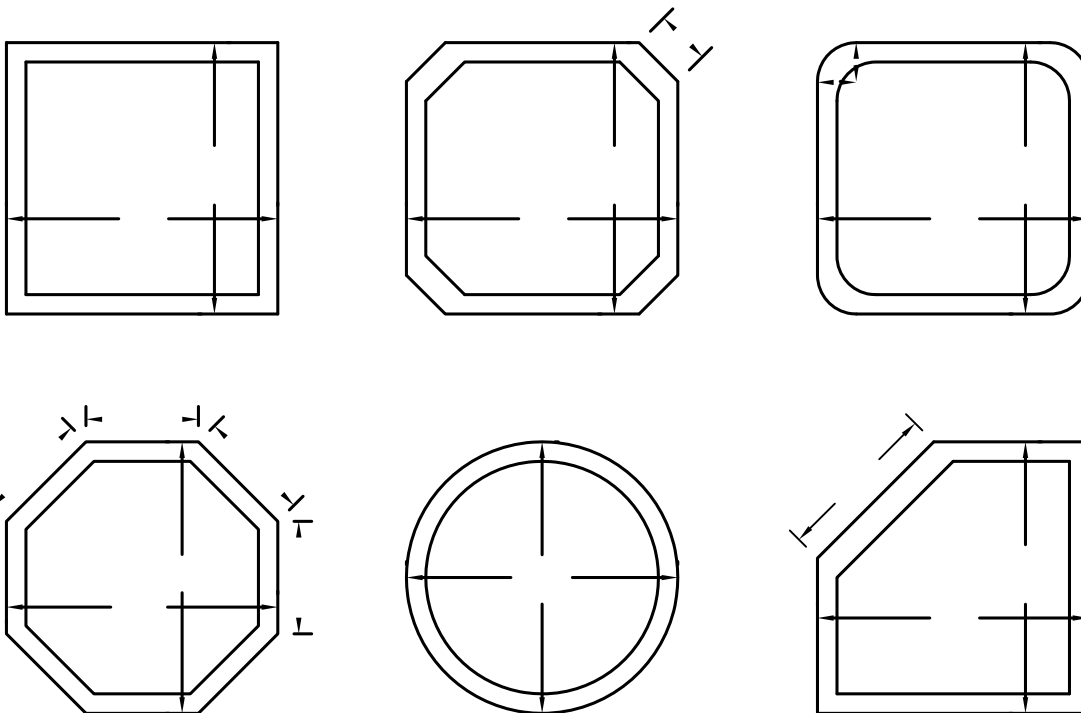


# **Secard Pools/Spas**

## *Spa cover template guide*

When ordering a new spa cover, accurate measurements of standard shapes (octagon, round, square, etc.) will usually provide sufficient information to make a new cover. Measure your spa from the outside to outside of the lip and from corner to corner as shown below. You will also need to measure the height of the lip from the spa cabinet.

**Important:** This is a custom special order. Secard Pools will not be responsible for the measurements of the cover. There will be no refunds, exchanges or credit given so please measure correctly.



Spa Make / Model: \_\_\_\_\_ Height of lip: \_\_\_\_\_

Color of cover: \_\_\_\_\_

Salesperson: \_\_\_\_\_

Store location: \_\_\_\_\_ PO# \_\_\_\_\_

Customer signature: \_\_\_\_\_ Date: \_\_\_\_\_